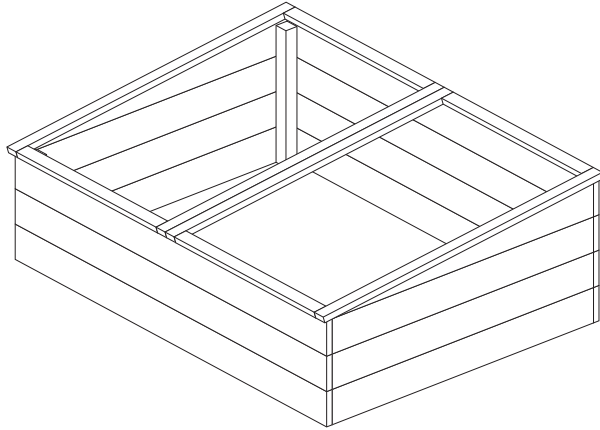


Timber coldframe

SS294

Assembly Instructions



Before assembly

- We recommend that time is taken to read the instructions before starting assembly, then follow the easy step by step guide. The instruction sheet is only a guide to the assembly. Certain items may not be shown to scale.
- Check all components prior to assembly
- Drill all components where indicated.
- This product should be assembled by no less than two people.
- Never attempt to erect the assembly in high winds.

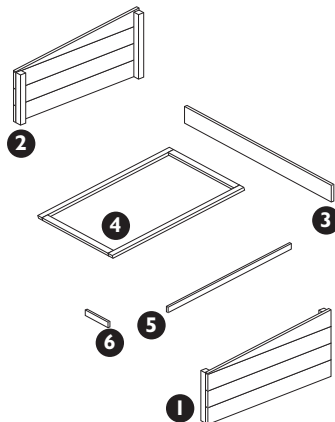


Recommended tools for assembly

- Cross head screw driver

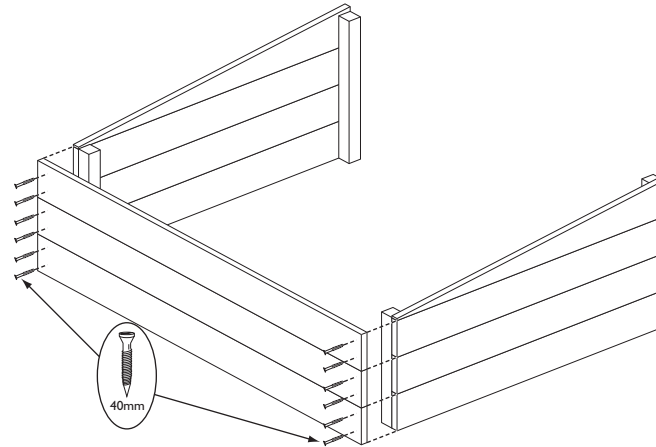
No.	Components	Qty.
1	Right-hand panel	1
2	Left-hand panel	1
3	Front/back boards	7
4	Lid	2
5	Long lid stay	2
6	Short lid stay	2

No.	Fixing Kit	Qty.
7	40mm screws	28
8	25mm screws	4
9	16mm screws	12



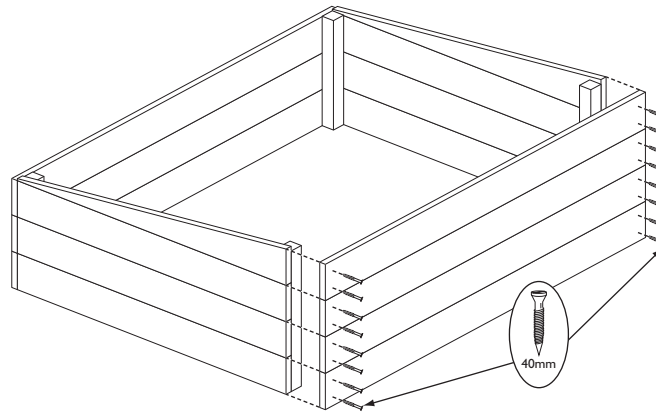
1. Front boards to side panels

Secure three front boards to the short front edge of the side panels using 4 x 40mm screws per board.



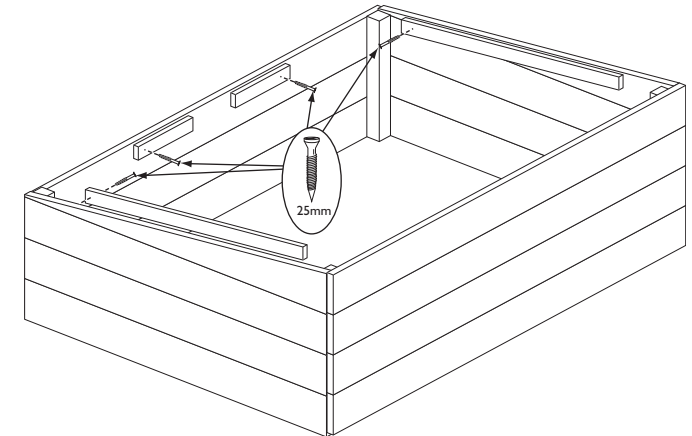
2. Back boards to side panels

Secure four front boards to the back edge of the side panels using 4 x 40mm screws per board.



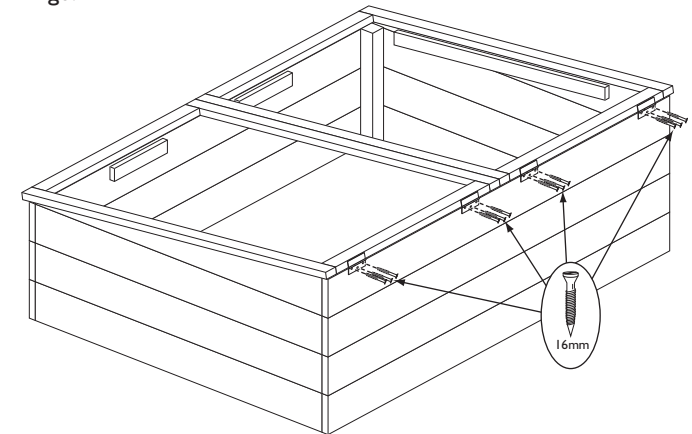
3. Lid stays

Attach the long lid stays to the inside of the side panels using 1 x 25mm per stay. Attach the two short lid stays to the inside of the front panel using 1 x 25mm screws per stay. Do not over tighten the screws in this section.



3. Lids

Position the two lids centrally on top of the frame with the hinges at the back. Secure the hinges to the back using 3 x 16mm screws per hinge.



We constantly improve the quality of our products, occasionally the components may differ from the components shown and are only correct at time of printing. We reserve the right to change the specification of our products without prior notice.

2012 © Rowlinson Garden Products Ltd